

# ROUGHNESS TESTERS (SEPARABLE TYPE)

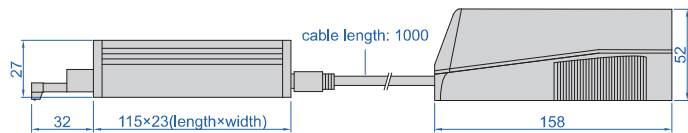
BLUETOOTH TOUCH SCREEN CAN BE OPERATED BY COMPUTERS OR MOBILE PHONES

- Roughness tester can be operated by mobile phones or computers
- Optional wireless or Bluetooth receivers can be used to output keyboard signals, connecting to a computer to send data to Excel
- Support bluetooth printer
- 36 roughness parameters
- Meet ISO, DIN, ANSI, JIS standards
- Display roughness values, profile and curve
- Memory of maximum 100 data and waveform
- Built-in lithium battery, working time more than 50 hours
- Touch screen
- Automatic power off

DATA OUTPUT



ISR-C300



software flash disk (included)

adjustable stand (included)

height is adjustable (40mm)



bluetooth printer (optional)



probe and main unit can be combined together



light duty test stand (optional)



maximum workpiece height is 220mm

heavy duty test stand (optional)



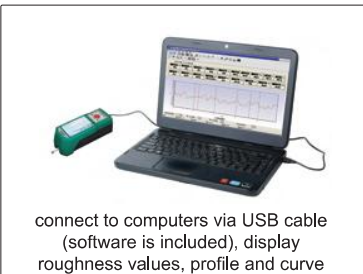
maximum workpiece height is 310mm

operate roughness tester by mobile phones



connect to mobile phones via bluetooth display roughness values, profile and curve

operate roughness tester by computers



connect to computers via USB cable (software is included), display roughness values, profile and curve

roughness tester screen display

Ra	23-05-24	12:26:27	2.50mm x 5	D-P
Ra=	4.203μm	Rz=	59.308μm	
Rq=	5.989μm	Rt=	230.72μm	
Rp=	45.824μm	Rv=	13.484μm	
R3z=	5.83μm	R3y=	22.47μm	

Navigation icons: Print, Ra, Back, Play, Stop

measurement result

Settings: Lt=1.50mm(0.25\*5) 00:00:00

R [LC ISO 16610-21] PC-RC

Pickup:001μ

Ra= 0.000μm Rz= 0.000μm

Navigation icons: Print, Ra, Back, Play, Stop, Settings

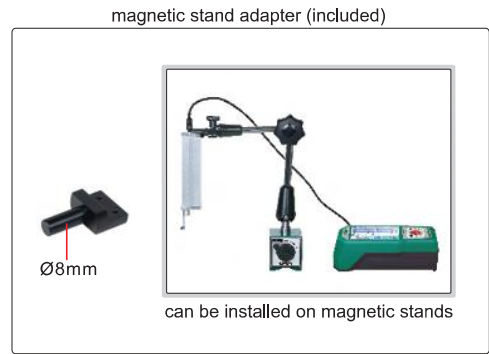
roughness profile

Ra	23-05-24	12:26:27	2.50mm x 5	D-P
C (Rt)	Rmr			
5%	0.0%			
10%	0.0%			
15%	0.0%			
20%	0.0%			

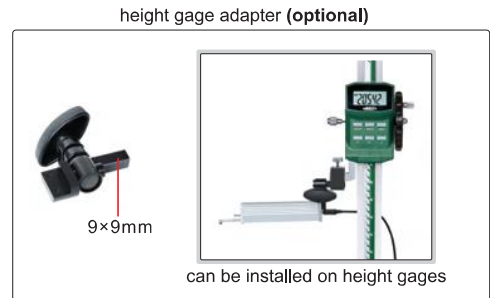
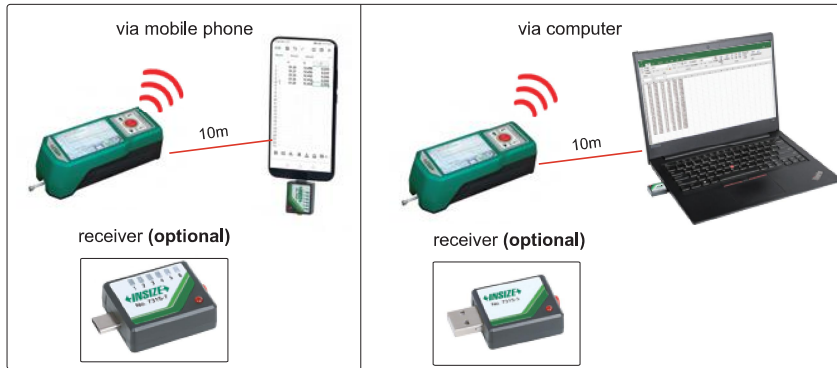
Navigation icons: Print, Ra, Back, Play, Stop

Rmr analysis

**ISR-C300/ISR-C301** can connect to a computer via Bluetooth or a SPC cable using an optional Bluetooth receiver (**ISR-C300-RECEIVER**) to send data to Excel

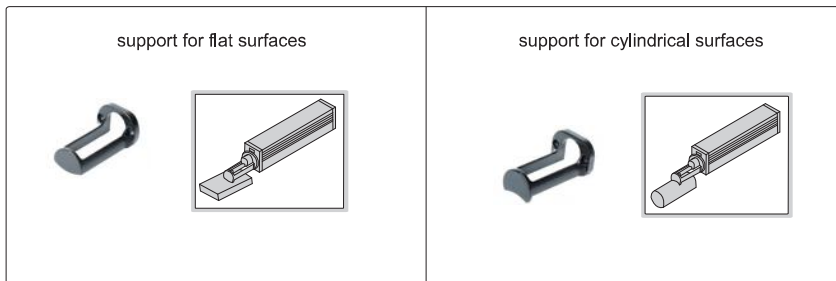


**ISR-C300WL** can send data to Excel, TXT and other documents by connecting to mobile phone or computer via optional 7315 series receiver



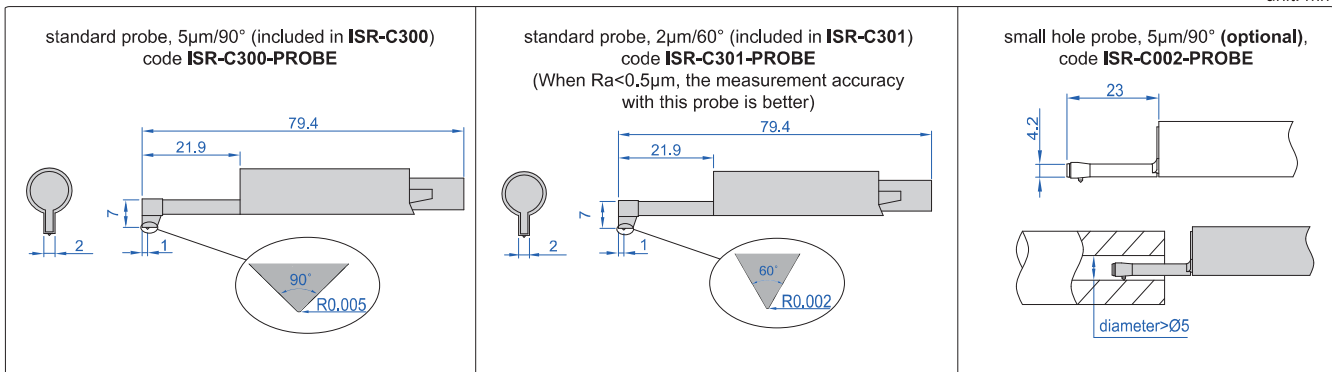
**NOTE** : Please check whether the adapter can fit your height gages. When using **INSIZE** height gages, please use the dial test indicator holder of height gages

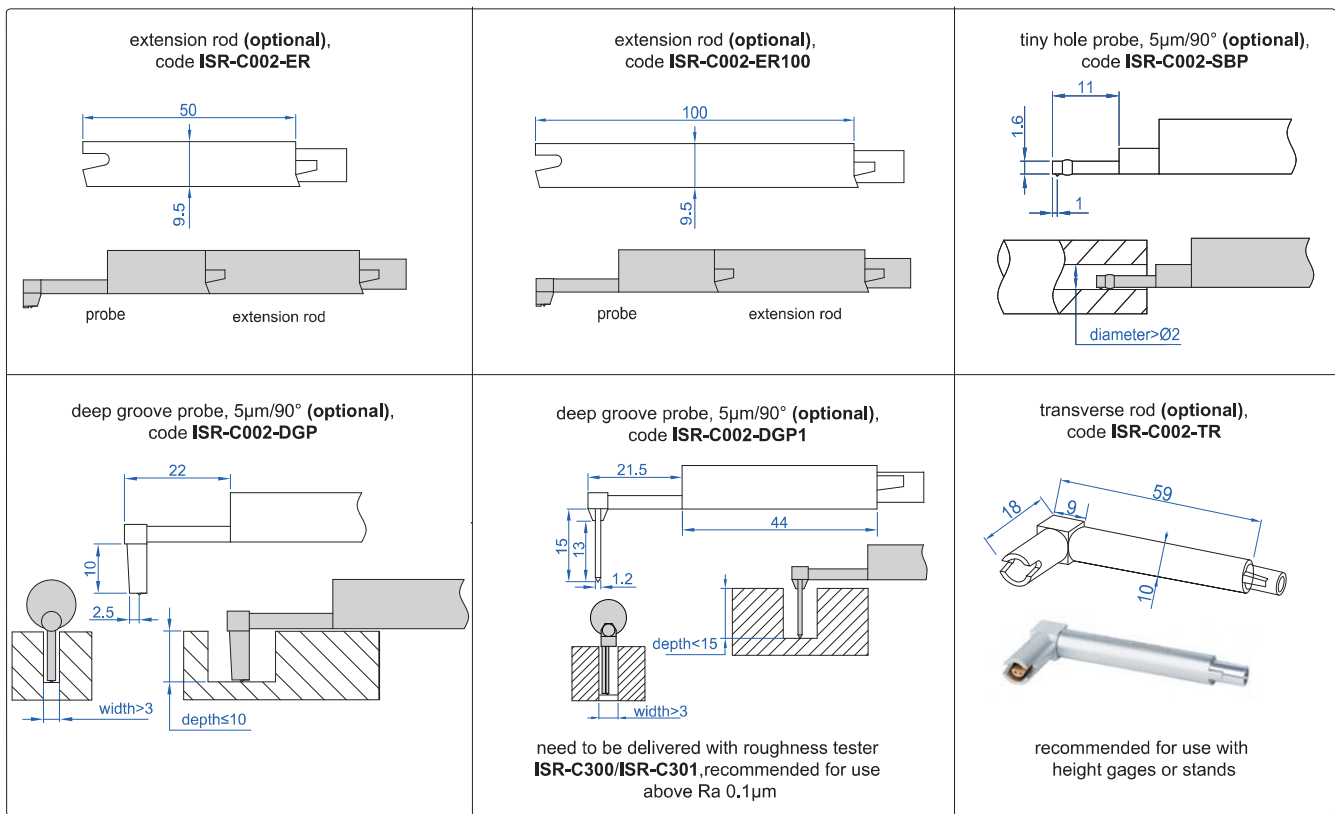
probe support (optional)



optional probes

unit: mm





## SPECIFICATION

Code	ISR-C300	ISR-C301	ISR-C300WL
Measuring force	4mN	0.75mN	4mN
Stylus radius/angle	5µm/90°	2µm/60°	5µm/90°
Parameters	Ra, Rz, Rq, Rv, Rp, Rs, R3z, R3y, Rt, Rc, Rz(JIS), Rk, Rku, Rsm, Rpc, Rpk, Rvk, Rsk, Mr1, Mr2, Ry, Rmax, R5p, R5v, R10z, Rpt, Rvt, Ry5, tp1, tp2, Rmrc1, Rmrc2, Rpkx, Rvkx, Ramax, Rzmax		
Probe type	inductive		
Stylus material	diamond		
Range	X axis	17.5mm	
	Z axis	400µm (-200µm~200µm)	
Accuracy	±10%		
Resolution (Ra)	0.001µm		
Measuring unit	µm/µin		
Cut off	0.25/0.8/2.5mm		
Number of cut-offs	1~5		
Moving speed	0.135mm/s, 0.5mm/s, 1mm/s		
Memory	100 measurement results		
Output	USB and bluetooth**		USB and Wireless*
Power	built-in rechargeable battery		
Dimension (L×W×H)	158×64×52mm		
Weight	400g		

\* Wireless Optional Receiver needed: code 7315-2/3/6/7/8/9

\*\* Bluetooth Optional Receiver needed: code **ISR-C300-RECEIVER**

## STANDARD DELIVERY

Main unit	1 pc
Standard probe (included in ISR-C300)	1 pc
Standard probe (included in ISR-C301)	1 pc
Calibration block and support	1 pc of each
Connecting cable (long and short)	1 pc of each
Magnetic stand adapter	1 pc
Adjustable stand	1 pc
Touch pen	1 pc
Software and USB cable	1 pc
AC/DC adapter	1 pc

## OPTIONAL ACCESSORY

Standard probe	ISR-C300-PROBE
Standard probe	ISR-C301-PROBE
Small hole probe	ISR-C002-PROBE
Tiny hole probe	ISR-C002-SBP
Extension rod	ISR-C002-ER
Extension rod	ISR-C002-ER100
Transverse rod	ISR-C002-TR
Deep groove probe	ISR-C002-DGP
Deep groove probe	ISR-C002-DGP1
Bluetooth printer***	ISR-C002-PRINTER
Height gage adapter	ISR-C300-LB1
Bluetooth receiver	ISR-C300-RECEIVER
Receiver	7315-2/3/6/7/8/9
SPC cable	ISR-C300-SPC
Support for flat surface	ISR-C300-COVER1
Support for cylindrical surface	ISR-C300-COVER2
Light duty test stand	ISR-C002-STAND1
Heavy duty test stand	ISR-C002-STAND

\*\*\* ISR-C300WL supports only wired connections to Bluetooth printer